



FOOD EQUIPMENT

SERVING THE FOOD INDUSTRY SINCE 1951

STAINLESS STEEL FLOOR MODEL REVERSIBLE DOUGH SHEETER

Item: 44135 Model: BE-CN-2083-FSS

EFFICIENT EQUIPMENT PERFECT FOR YOUR BAKERY

Suitable for bakeries, restaurants, and hotels, Omcan's dough sheeter is designed for optimal performance. Equipped with safety features, preset roller thickness controls, and foldable tables for space saving storage, this machine increases your bakery's production and efficiency. Safe to operate and easy to clean.



WARRANTY
PARTS AND LABOR



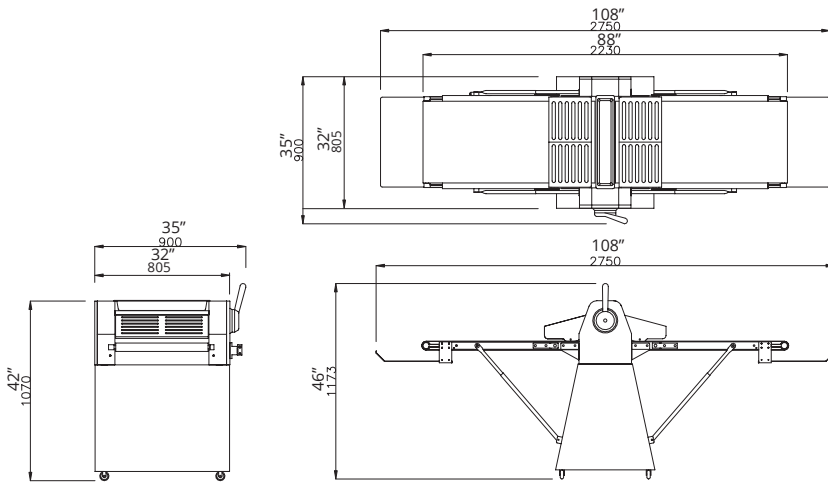
update: Jan 21,2022



Authorized Dealer

FOOD EQUIPMENT

STAINLESS STEEL FLOOR MODEL REVERSIBLE DOUGH SHEETER



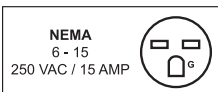
FEATURES

- Made of high quality stainless steel; ideal use for long period of time
- Fixed conveyor speed
- Roller adjustments are manual
- Suitable for bakeries, restaurants, and hotels
- Equipped with preset roller thickness control, foldable tables for space-saving storage and retractable end tables
- Safety features: safety guards, emergency stop switch, thermal overload device



TECHNICAL SPECIFICATION

ITEM NUMBER	44135	CONVEYER WIDTH	22.5" / 571.5 mm
MODEL	BE-CN-2083-FSS	CONVEYER BELT SPEED	18 m/min - 32 m/min
DESCRIPTION	Floor model dough sheeter, stainless steel	ROLLER SPEED	124 r/min
ELECTRICAL	220 V / 60 Hz / 1 Ph	MAXIMUM DOUGH CAPACITY	5 kg. / 11 lbs.
POWER	0.75 HP / 0.55 kW	WORKING POSITION DIMENSION (DWH)	35" x 108" x 46" 900 x 2750 x 1173 mm
ROLLER SIZE	3.5" / 88 mm (Dia.), 20.5" / 520 mm (W)	RESTING POSITION DIMENSION (WH)	35" x 63" 900 x 1600 mm
ROLLER ADJUSTABLE GAP	1-1.4" / 1 - 35 mm	WEIGHT	419 lbs. / 190 kg.
CONVEYER BELT WIDTH	19.75" / 501.7 mm	GROSS WEIGHT	512 lbs. / 232 kg.
		GROSS DIMENSION	37" x 29" x 66" / 940 x 737 x 1676 mm



update: Jan 21,2022

OMCAN INC.

Telephone: 1-800-465-0234
 Fax: (905) 607-0234
 Email: sales@omcan.com
 Website: www.omcan.com



Follow us to keep up to date with the latest news and offers



2020.E.O.E